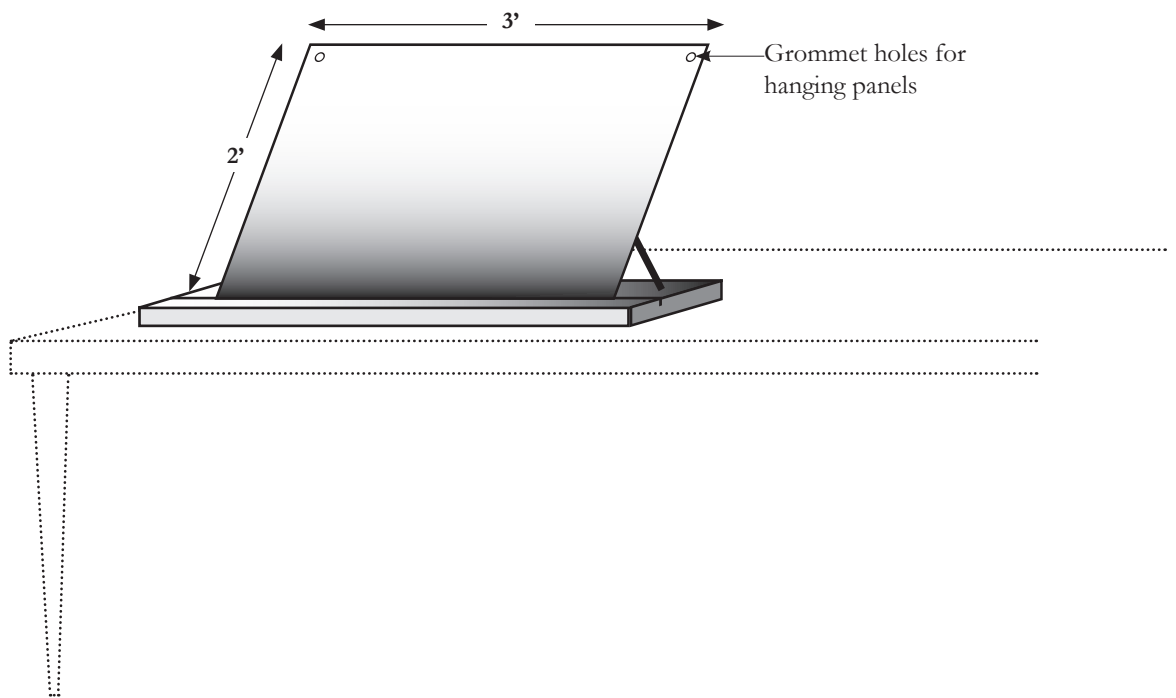


Perfect Likeness Layout

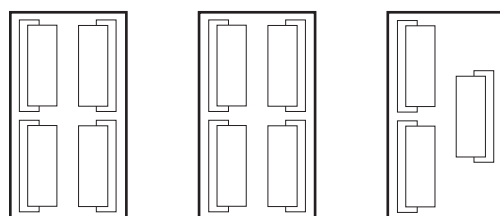
This exhibit consists of **11** panels. Panels may be wall hung by grommet holes in the top corners or displayed on tabletops. Supports for tabletop display are included. An optional easel is included and can hold one panel (usually the title panel).

*** These panels are one-sided. ***

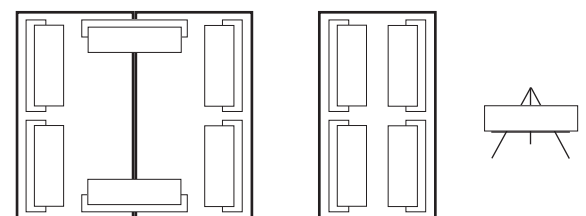


Arrangement Options Using Three Eight-Foot Tables (overhead view):

Four back-to-back on two tables, and three back-to-back on another table:



Six on two tables pushed together, four back-to-back on another table, and the easel with title panel:



Additional arrangements can be made.