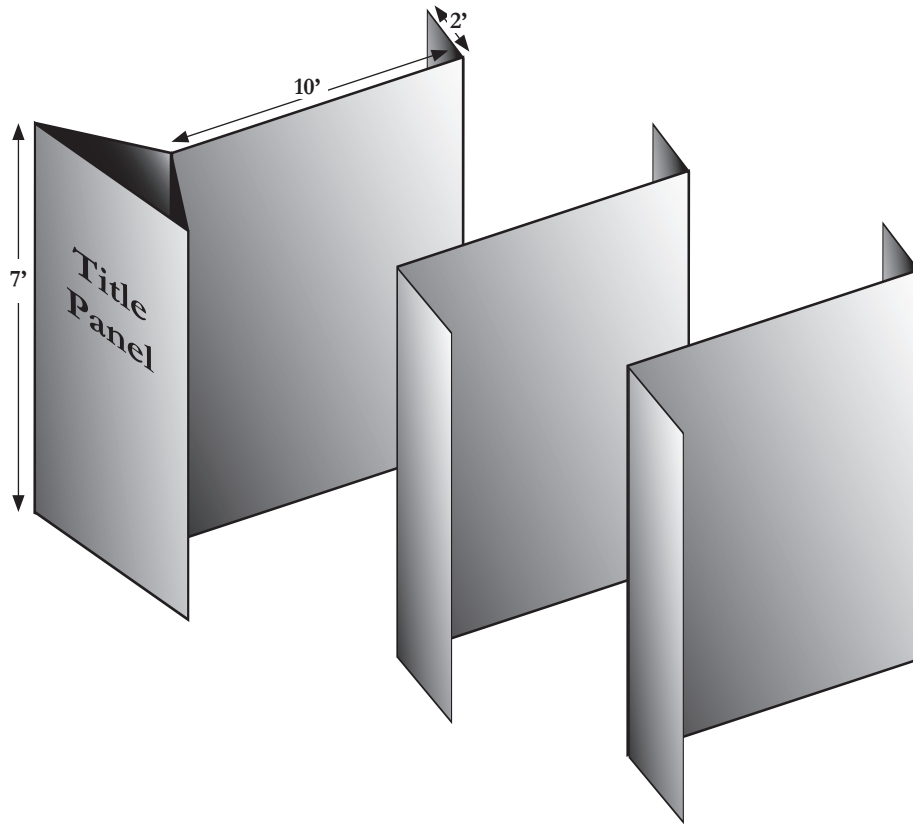


Faces of the Civil War Layout

This exhibit consists of three freestanding sections of panels.

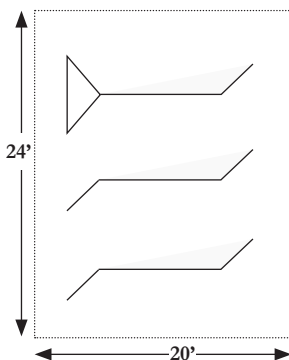
*** These panels are two-sided. ***



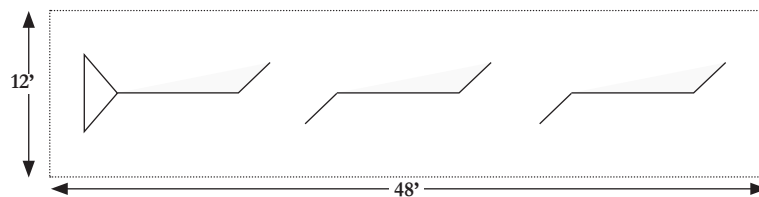
Note: Two tables, approximately 2.5 feet high by 2 feet square are also available with miscellaneous items (gloves, eye glasses, checker board, lamp) to accompany the exhibit. These tables can be set up near the exhibit or the items can be placed in a display case.

Arrangement Options (overhead view):

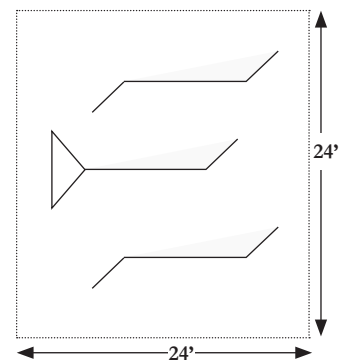
Side-by-Side:



End-to-End:



Offset:



These dimensions represent approximate floor space needed for each arrangement. Additional arrangements can be made.