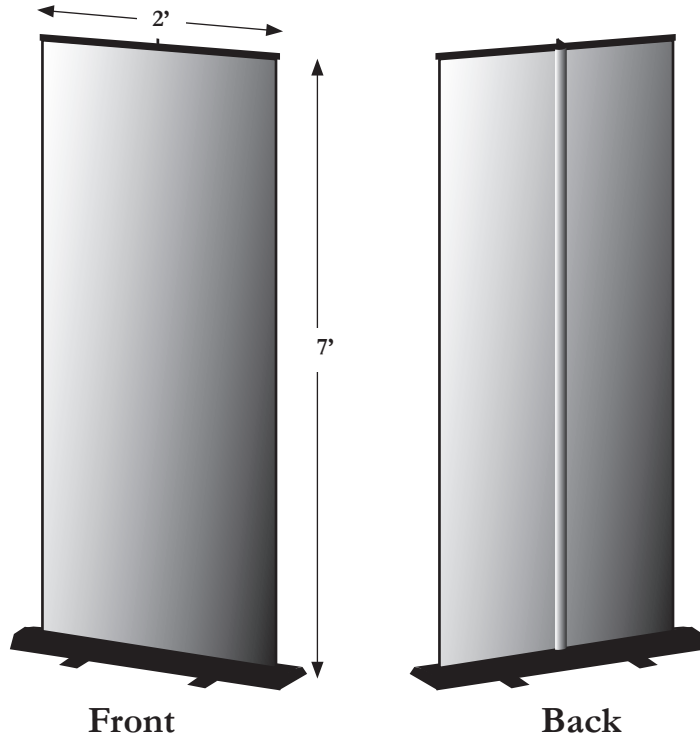


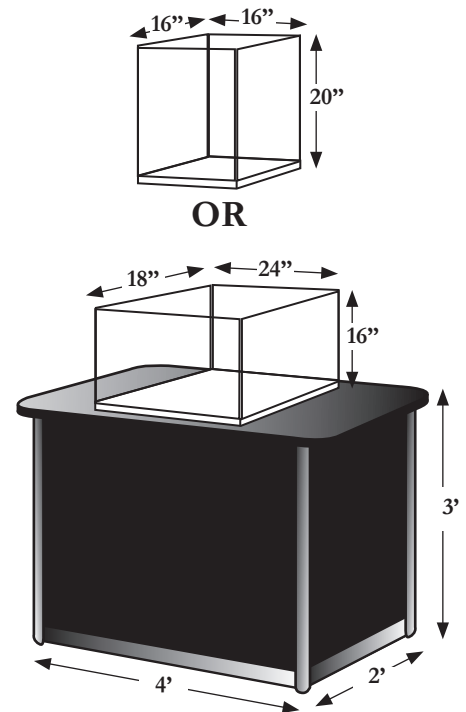
# Endangered Heritage Layout

This exhibit consists of **12** pull-up banner panels and **one** table with a vitrine.  
There are two options for the size of the vitrine on the table.

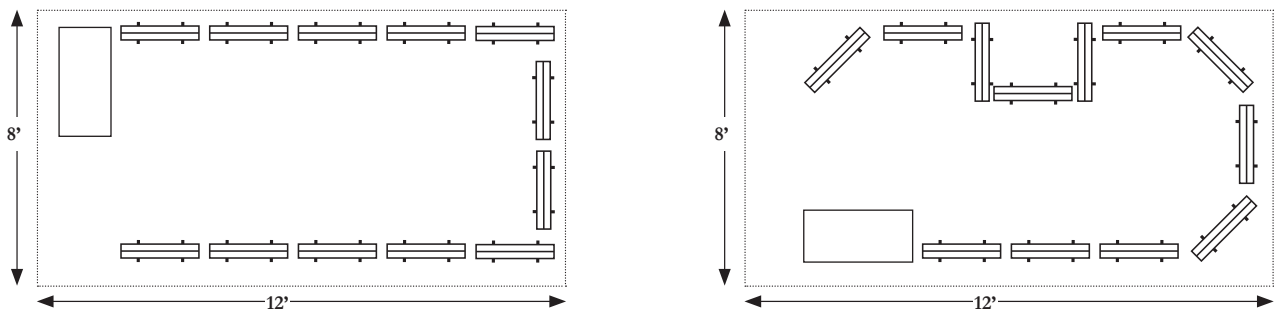
## 12 one-sided panels



## One table plus choice of vitrine



## Sample Arrangement Options (overhead view):



Panels can be arranged against a wall or back-to-back in the center of a room.  
These dimensions represent approximate floor space needed for each arrangement.  
Additional arrangements can be made.